

Model Name :

Cabinet Power Monitor

Used with the Basic PDU and Metered PDU to upgrade them to remote monitoring. Up to 8 PDUs can be connected at the same time. If the power consumption is overloaded, it can immediately notify the administrator via Email or SNMP.

Model Number :

CPM-MON-08100EX



Features:

System Function:

- Built-in embedded system:
Support 10M Ethernet interface, provides webpage and SNMP remote management.
- Multiple protocols:
Support ICMP, ARP, IP, TCP, UDP, DHCP, HTTP, NTP, SNMP v1.
- Local display information:
Seven-segments can display current, web site and temperature and humidity values.
- 8 Basic PDU or Metered PDU can be connected at the same time.

Power Management:



Remote Monitor
Remote monitoring PDU status by web and SNMP



Threshold Sensing
User-definable warning and overload threshold value as the basis for alarm.



Event Alert
When current exceeds the preset threshold, PDU will beep and LED will flash.



Mail Notification
Notify specified user by mail and SNMP when outlet action or current over threshold.



Environment Detection
Optional accessory probe to detect temperature and humidity.

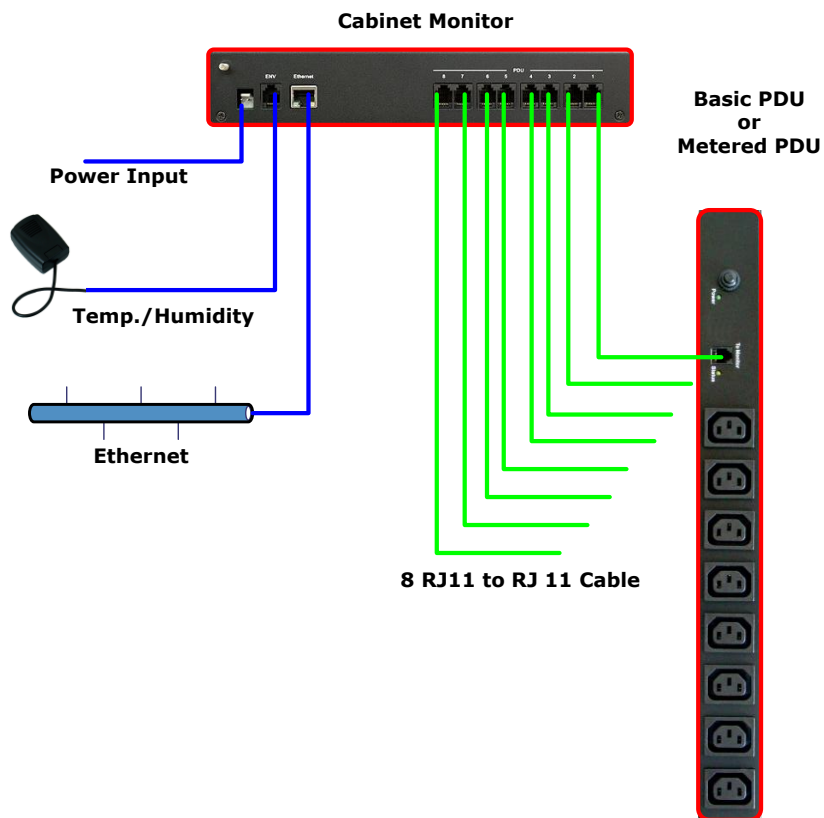


Central Management
Free centralized monitoring software, real-time monitoring of a large number of PDU, provide data records and history chart.




Specification

Input		Other	
PDU Connection Input	(8) RJ11 Adapter	ENV Connection	RJ11
Outlook		Operation	
Size	65 x 253 x 44 mm	Operation Temp.	0 ~ 45°C
Weight	1.6 kg	Operation Humid.	0% ~ 90% RH
		Storage Temp.	-20°C ~ 65°C
		Storage Humid.	0% ~ 90% RH
Approval			
Certification	CE, FCC		
Warranty	2 years		

Connection Diagram



Package

No.	Description.
1	CPM 1 set.
2	Rack mount accessories 1 set 
3	Power Adapter 1 set 
4	RJ11 to RJ11 cable, 8 sets. Connect to Basic PDU or Metered PDU. 
5	Software, manual, MIB by link below



Optional Accessory

Model Number	Model Name
CPM-ENV-2	Temp./Humidity probe



Line Drawing

PDU Specification

